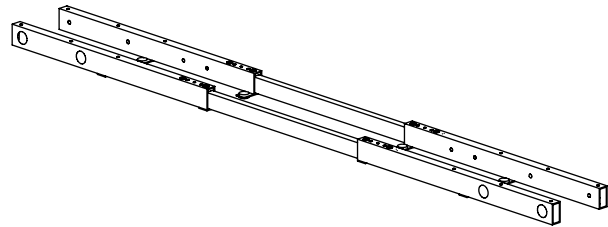


AgileMotion Single Sided Desk

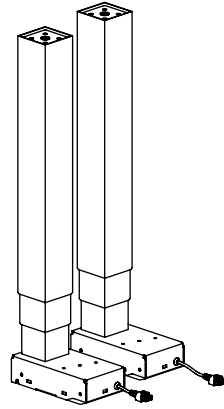
Assembly Instructions

AgileMotion Single Sided Desk

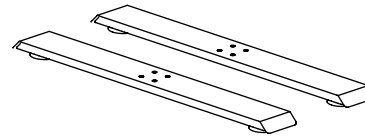
Components List



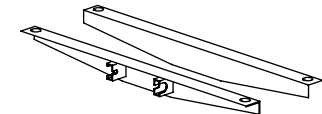
2 x Frame Rails



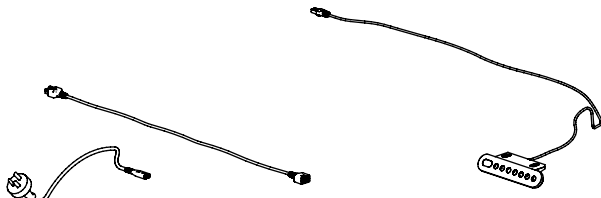
2 x Leg with Motor



2 x Foot with Leveling Feet

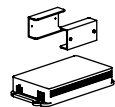


1 x L&R Support Bar (Pair)

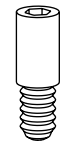


1 x Power Cord

1 x Handset



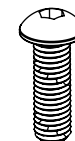
1 x Power Box
with Brackets



4 x M6x12



4 x M6x10
Socket Head
Bolt



8 x M8x20

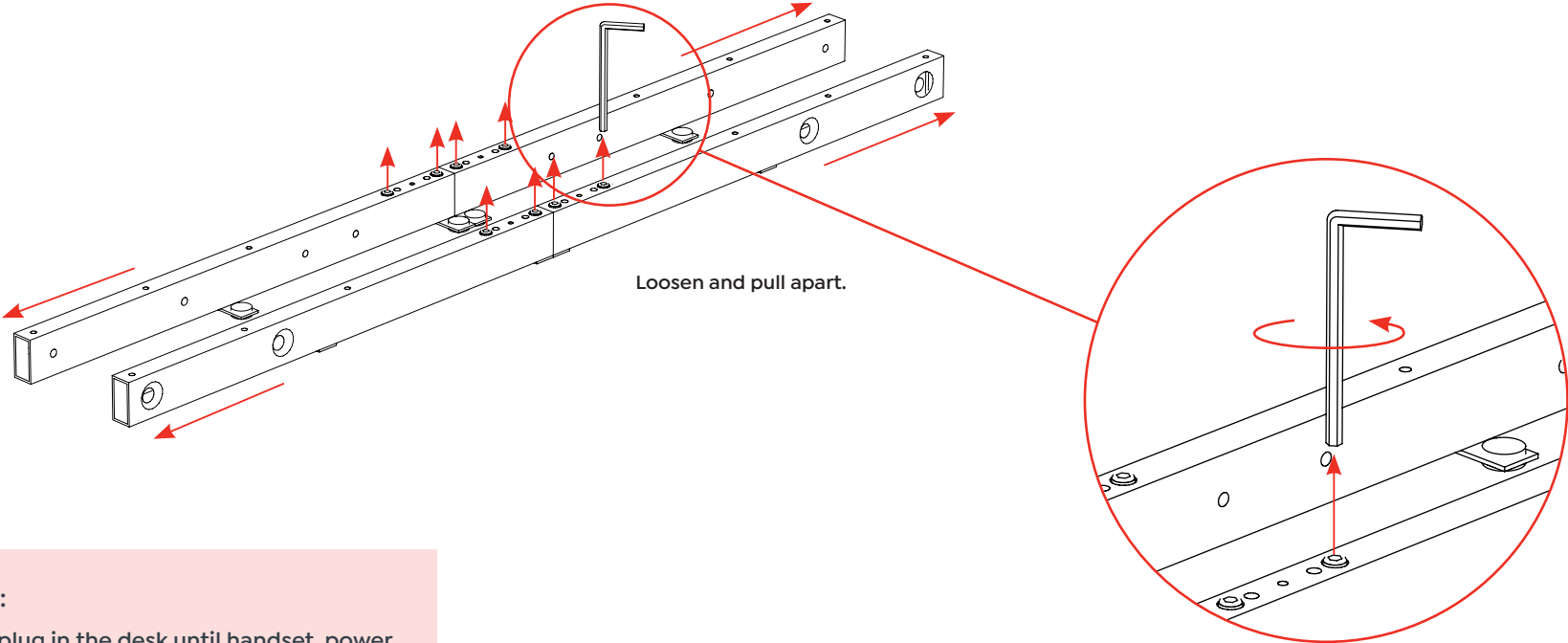


12 x ST5.0x23



12 x ST4.2x16

STEP 1:



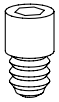
NOTE:
Don't plug in the desk until handset, power box & controller are mounted on to the desk top. It might cause errors.

AgileMotion Single Sided Desk

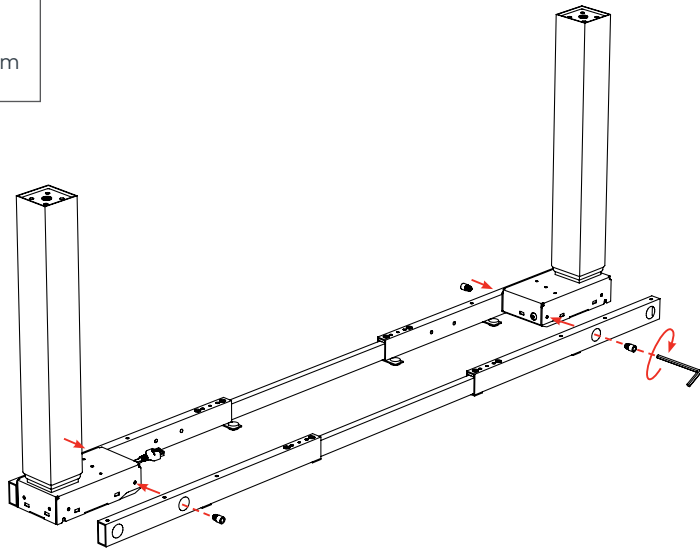
Assembly Instructions

STEP 2:

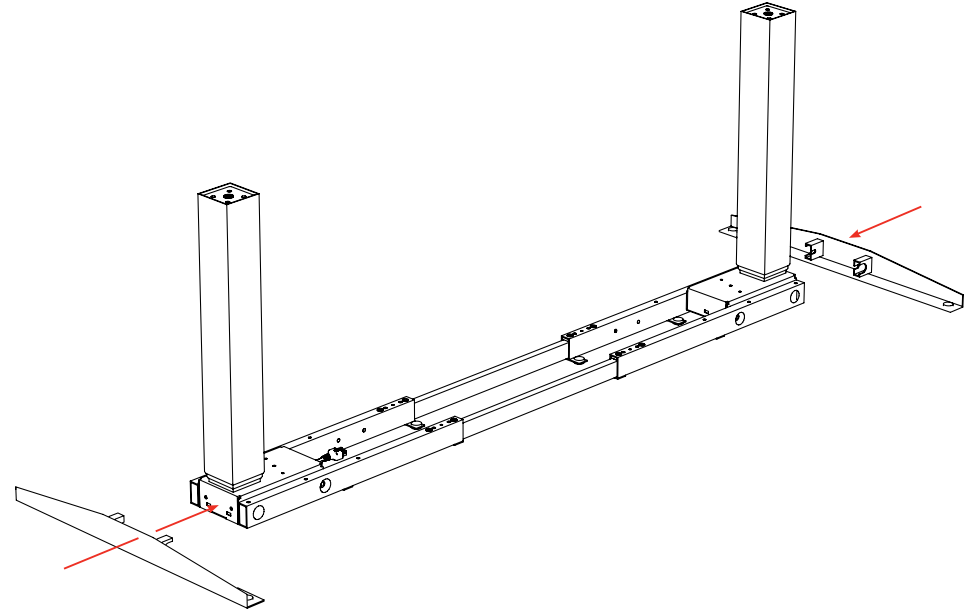
4 pcs



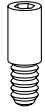
M6x10mm

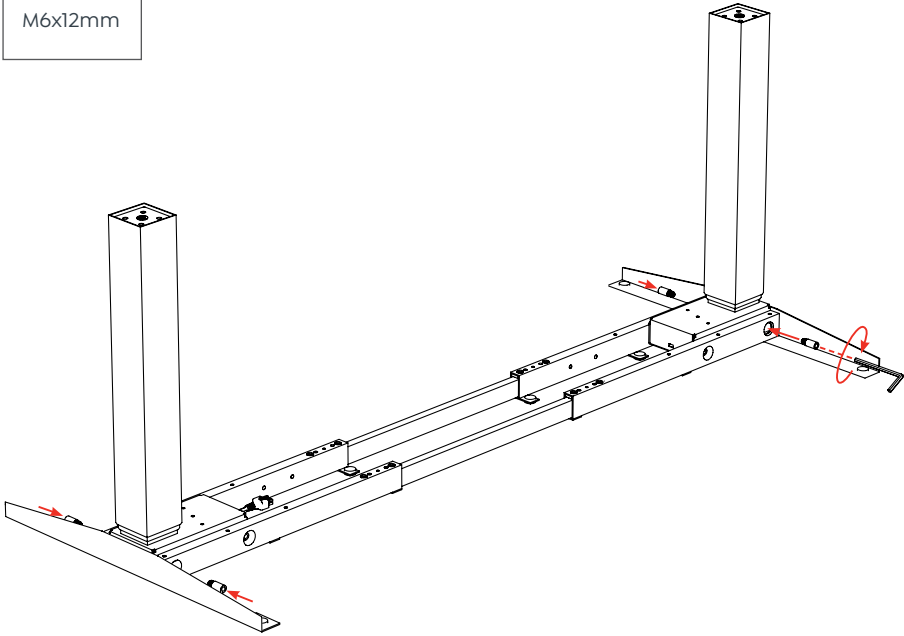


STEP 3:

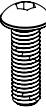


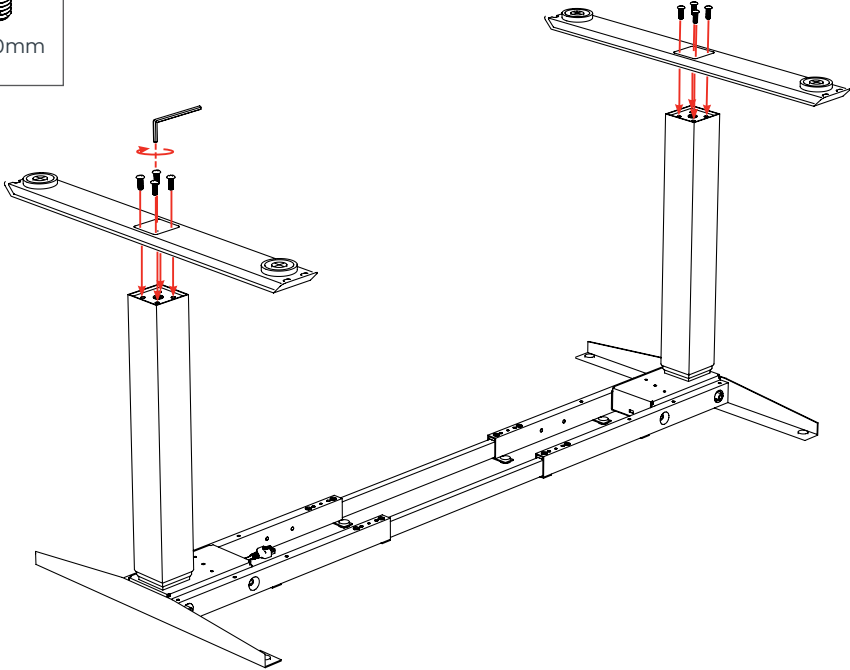
STEP 4:

4 pcs

M6x12mm



STEP 5:

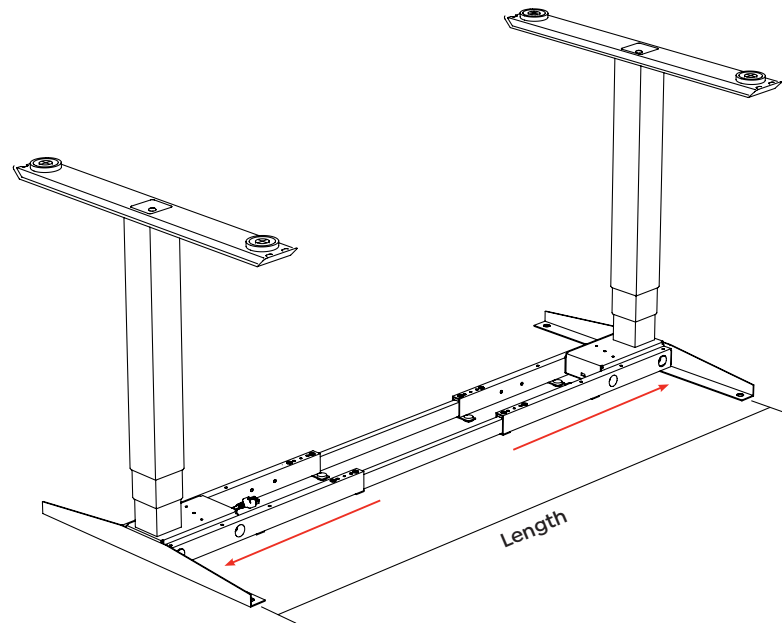
8 pcs

M8x20mm



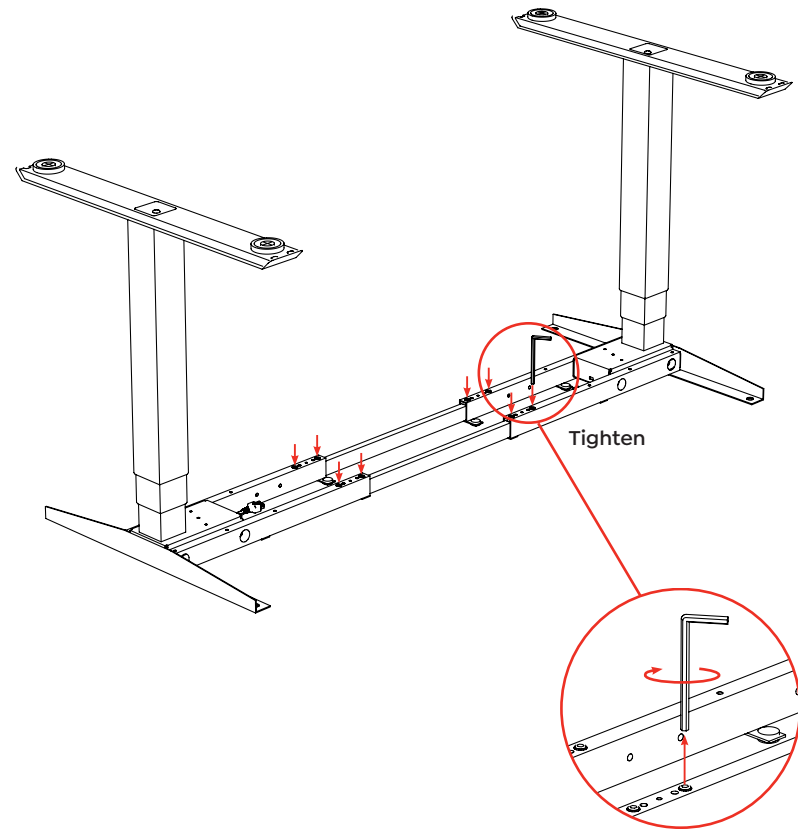
AgileMotion Single Sided Desk

Assembly Instructions

STEP 6:




STEP 7:



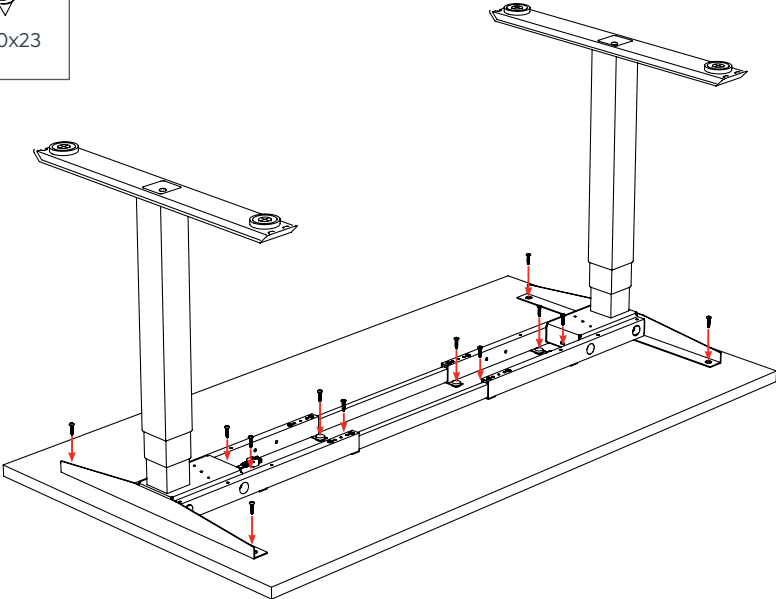
Worktop	Length
1200mm	125mm
1500mm	1425mm
1800mm	1725mm

STEP 8:

12 pcs

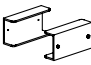


ST5.0x23

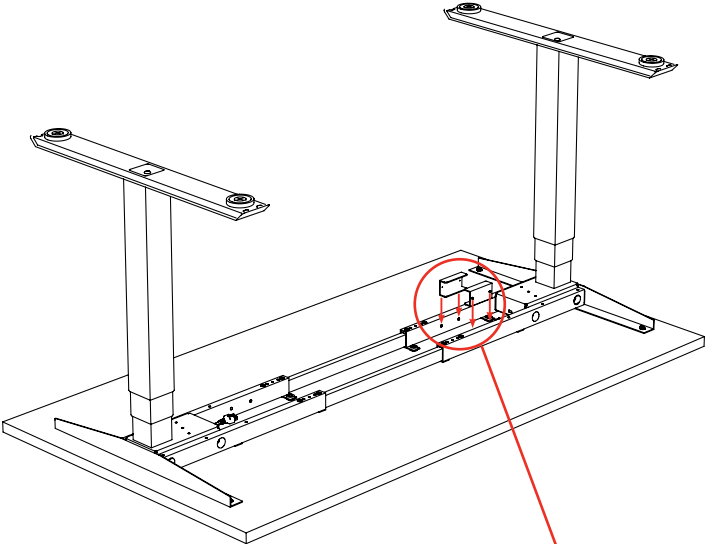


STEP 9:

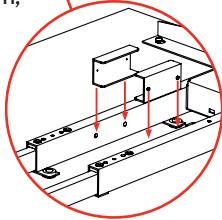
1 Pair



Power Box
Brackets



Clip brackets in place as shown,
no screws needed.

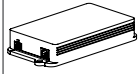


AgileMotion Single Sided Desk

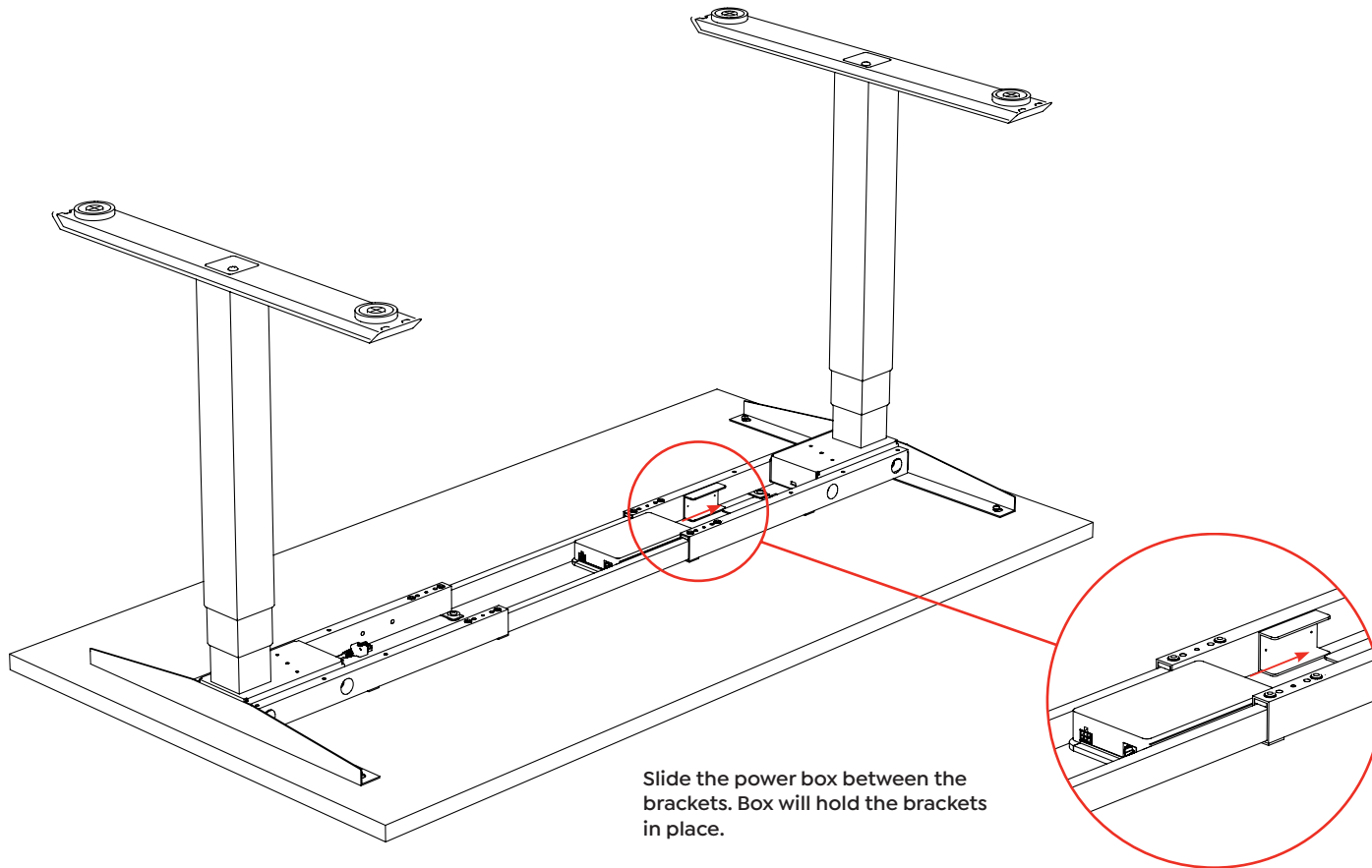
Assembly Instructions

STEP 10:

1 pc

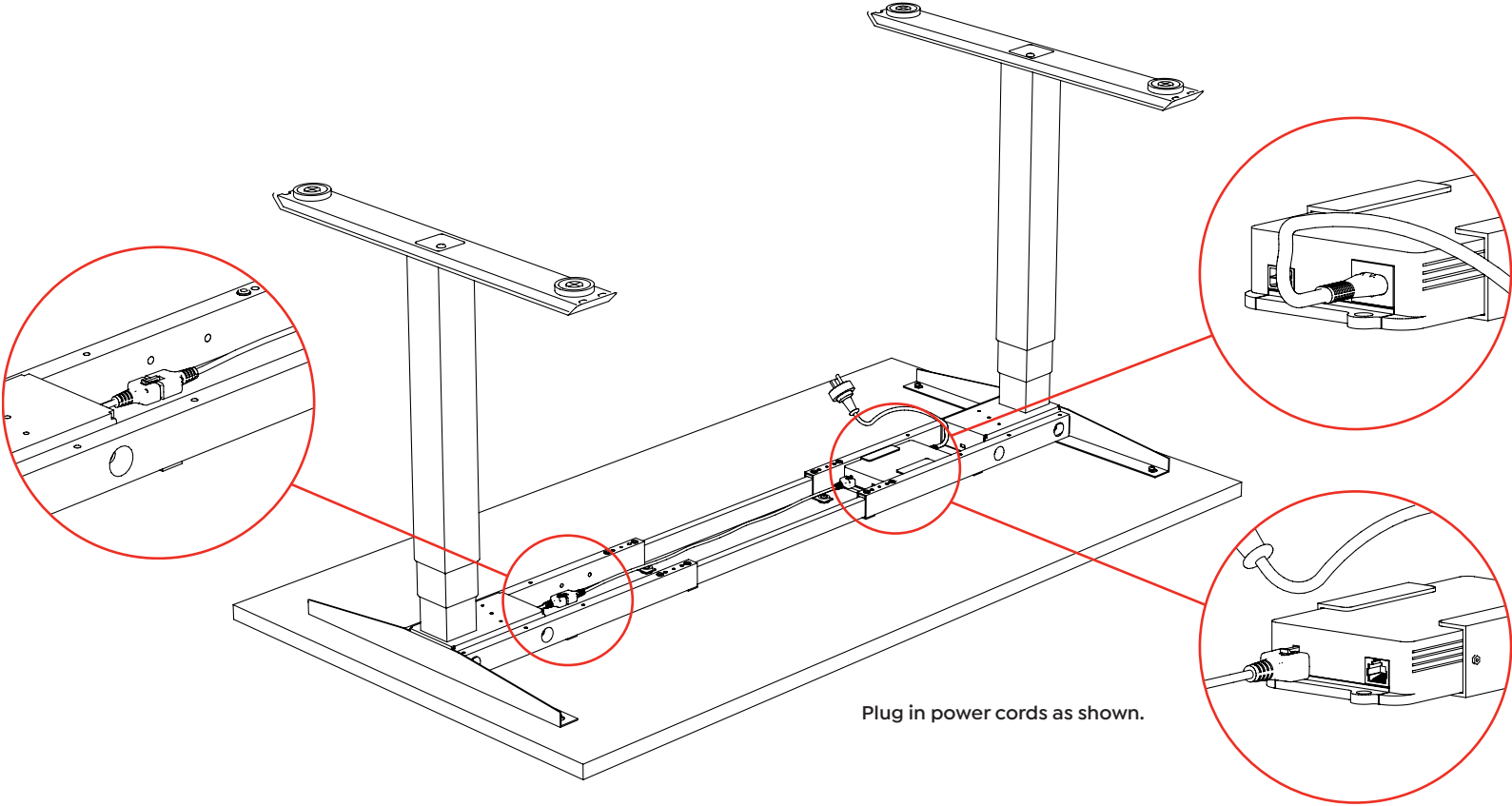


Power Box



Slide the power box between the brackets. Box will hold the brackets in place.

STEP 11:



Plug in power cords as shown.

AgileMotion Single Sided Desk

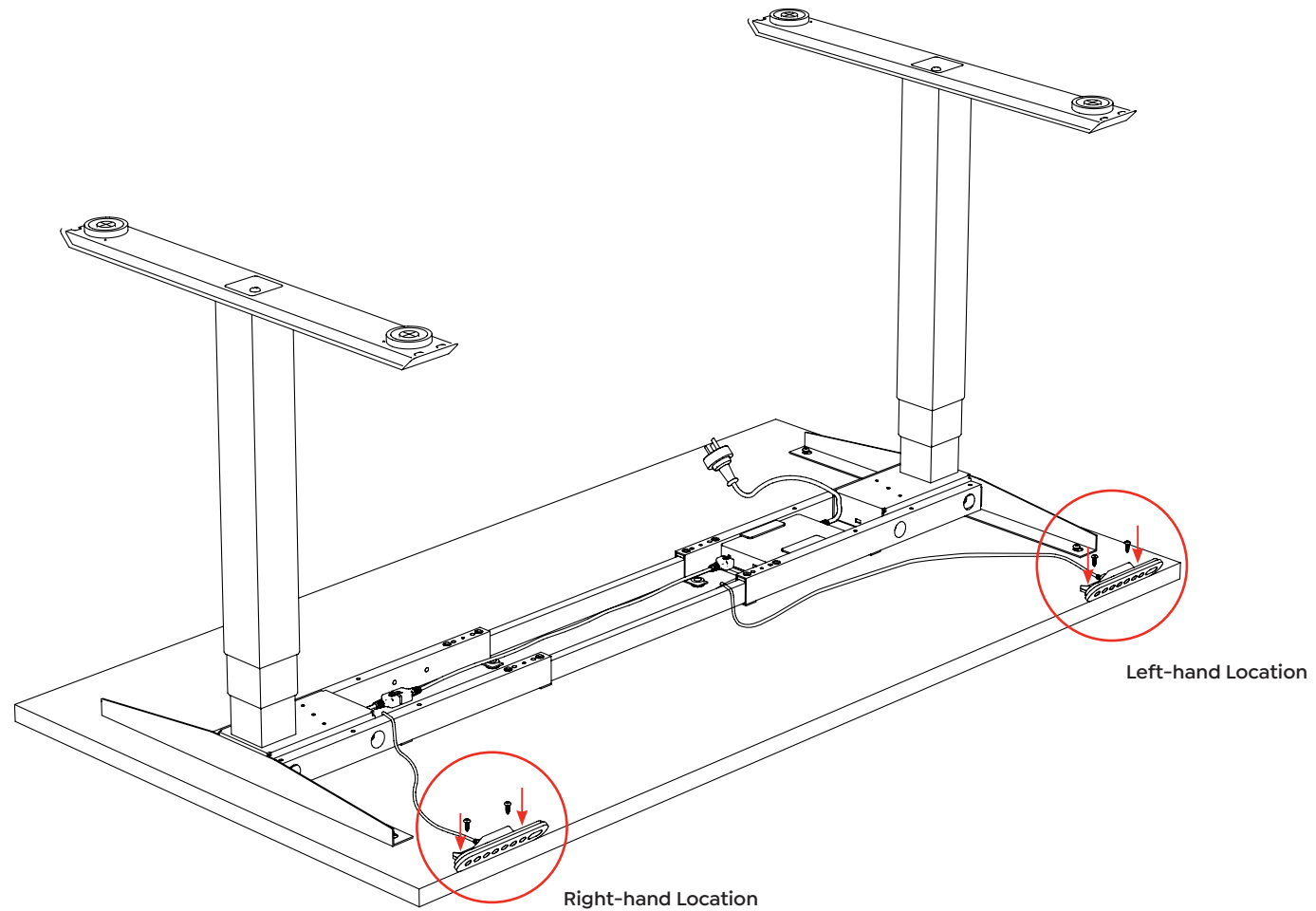
Assembly Instructions

STEP 12:

2 pcs



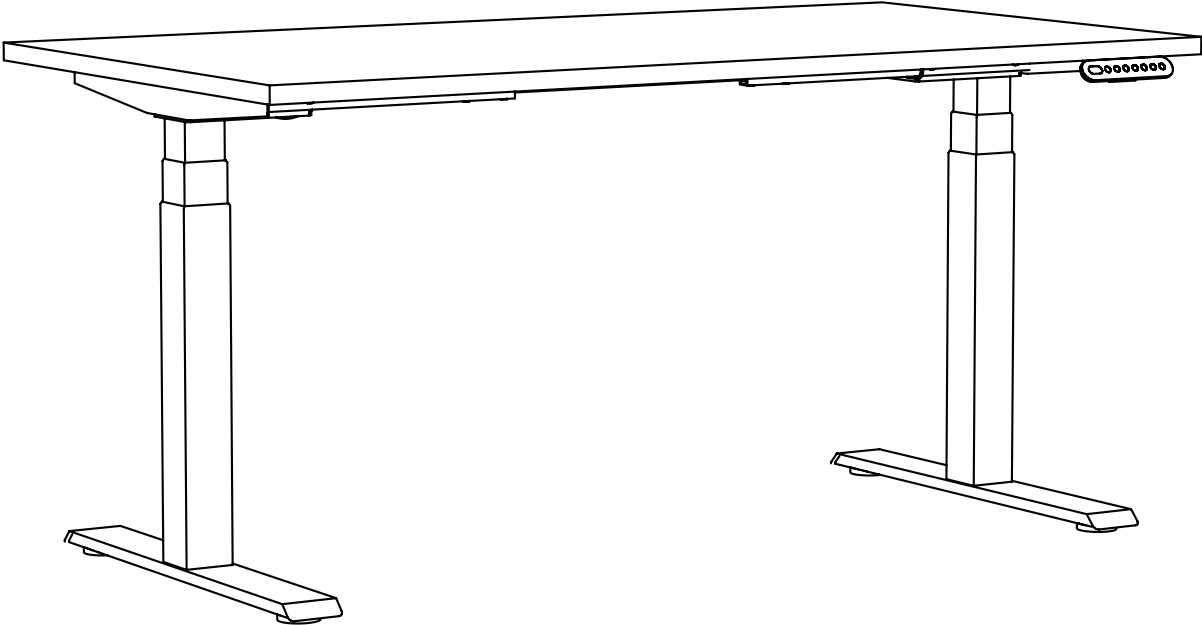
ST4.2x16



AgileMotion Single Sided Desk

Assembly Instructions

Complete:



AgileMotion Single Sided Desk

Optional SSD Cable Tray - Components List



4 x M6x10
Button Head
Screw



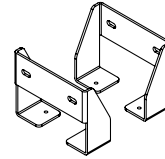
4 x M5x6



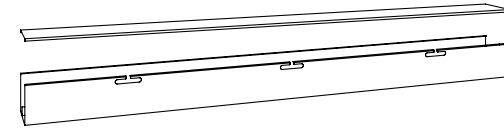
4 x Wood Screws



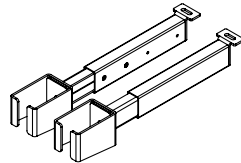
4 x Tek Screws



2 x SSD Tray Mounts

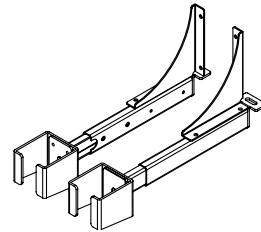


1 x SSD Tray



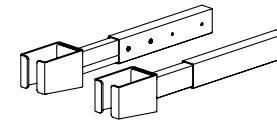
VSSDBRAC50
SSD Screen Brackets L/R Pair

Required if installing
Tray and Studio50



VSSDBRAC25
SSD Screen Brackets L/R Pair

Required if installing
Tray and AcoustiQ Screen



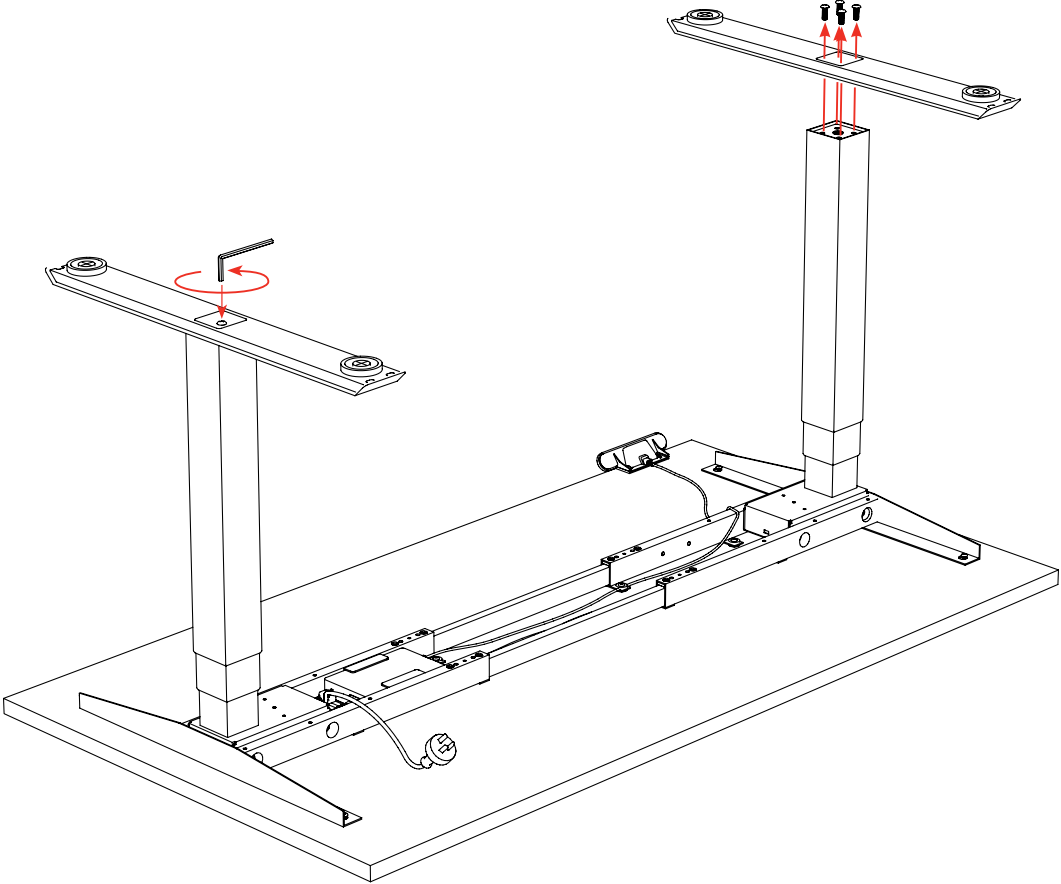
VSSDBRACCT
SSD Cable Tray Brackets L/R Pair

Required if installing
Tray and NO Screen

AgileMotion Single Sided Desk

Optional SSD Cable Tray - Assembly Instructions

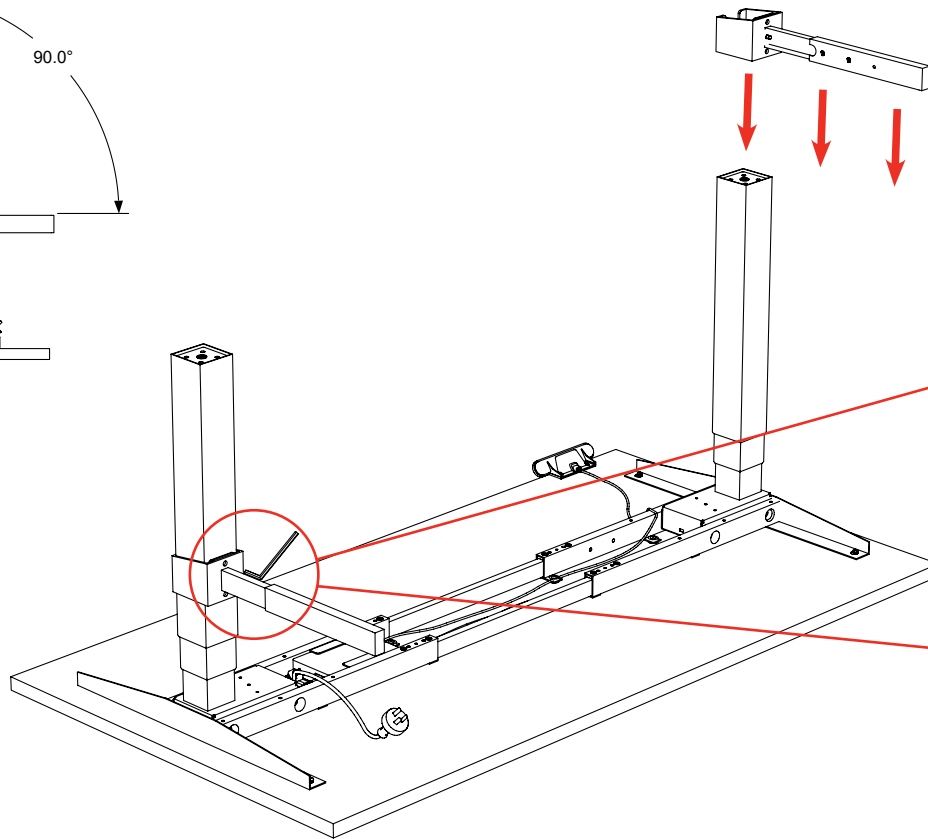
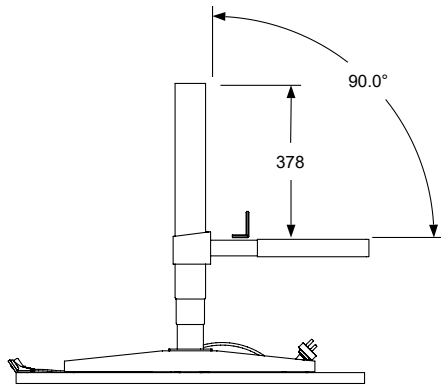
STEP 1:



AgileMotion Single Sided Desk

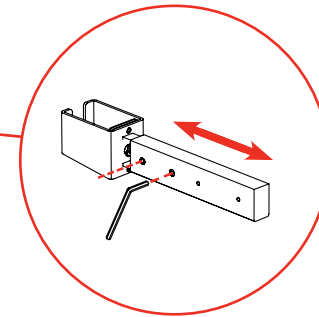
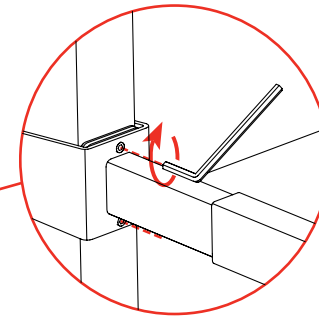
Optional SSD Cable Tray - Assembly Instructions

STEP 2:



NOTE:

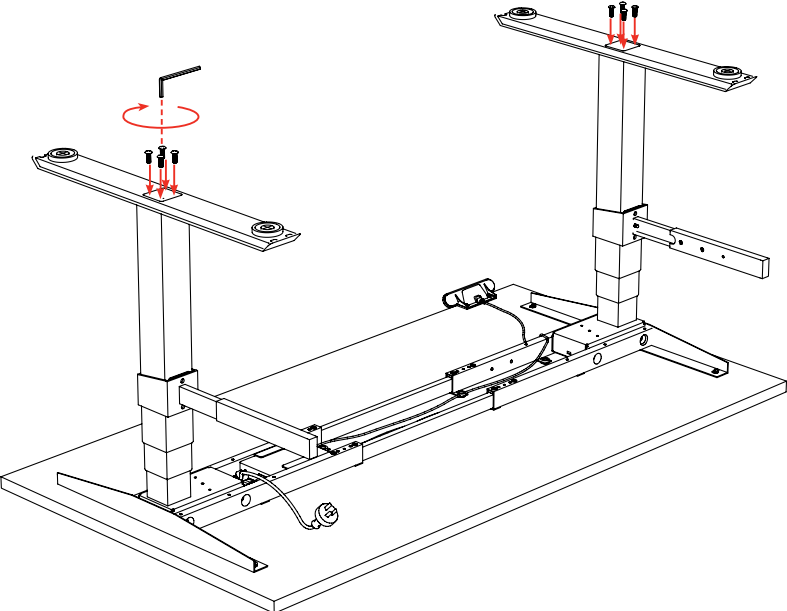
Do not over tighten as this may cause desk malfunction.



AgileMotion Single Sided Desk


Optional SSD Cable Tray - Assembly Instructions

STEP 3:

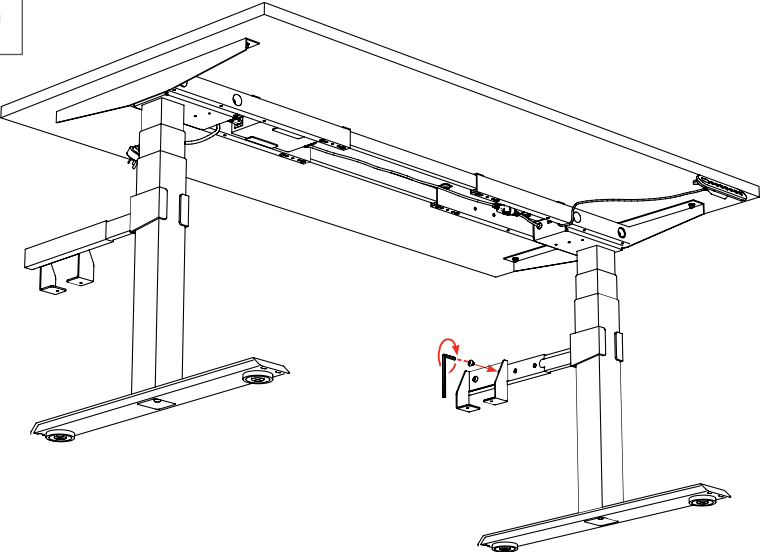


STEP 4:

5 pcs



M6x10mm



AgileMotion Single Sided Desk

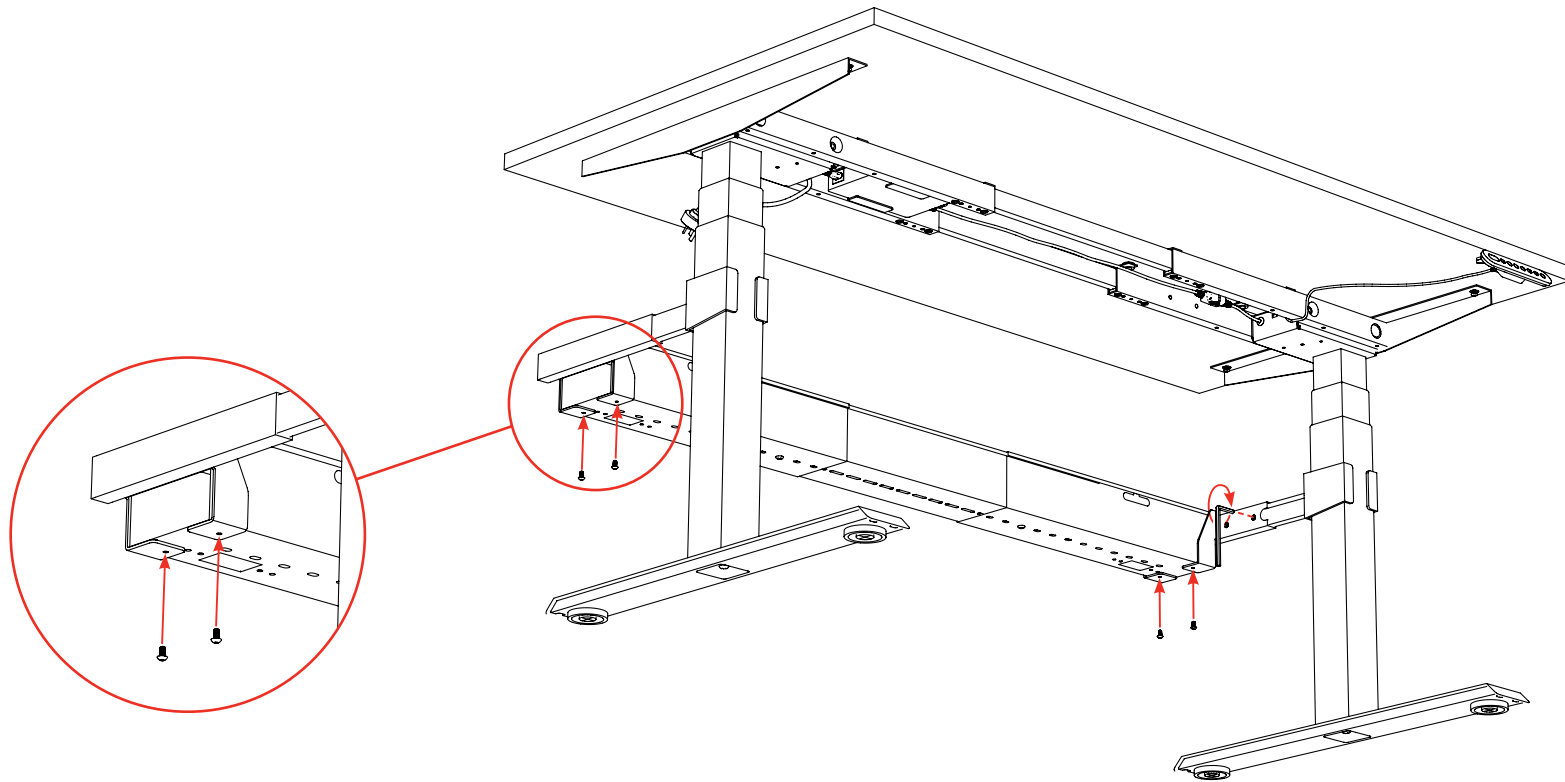
Optional SSD Cable Tray - Assembly Instructions

STEP 5:

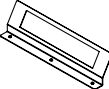
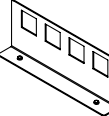
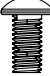
4 pcs

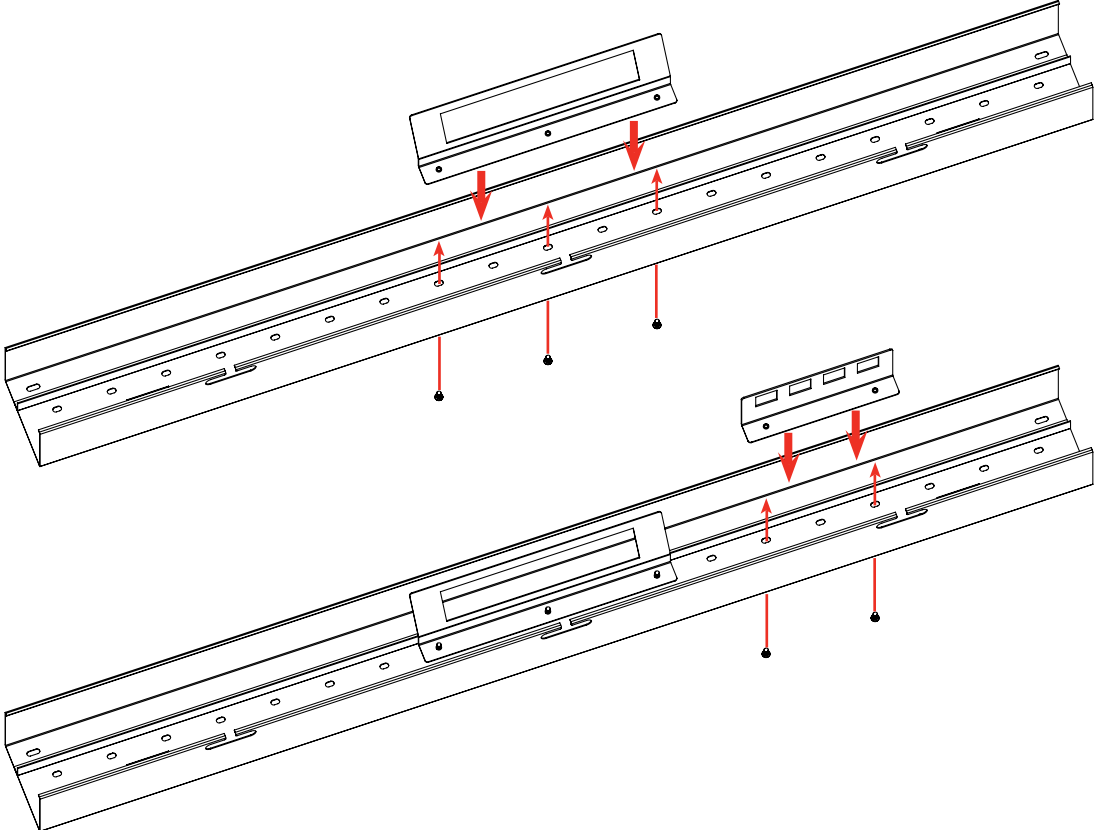


M5x6mm



STEP 6:

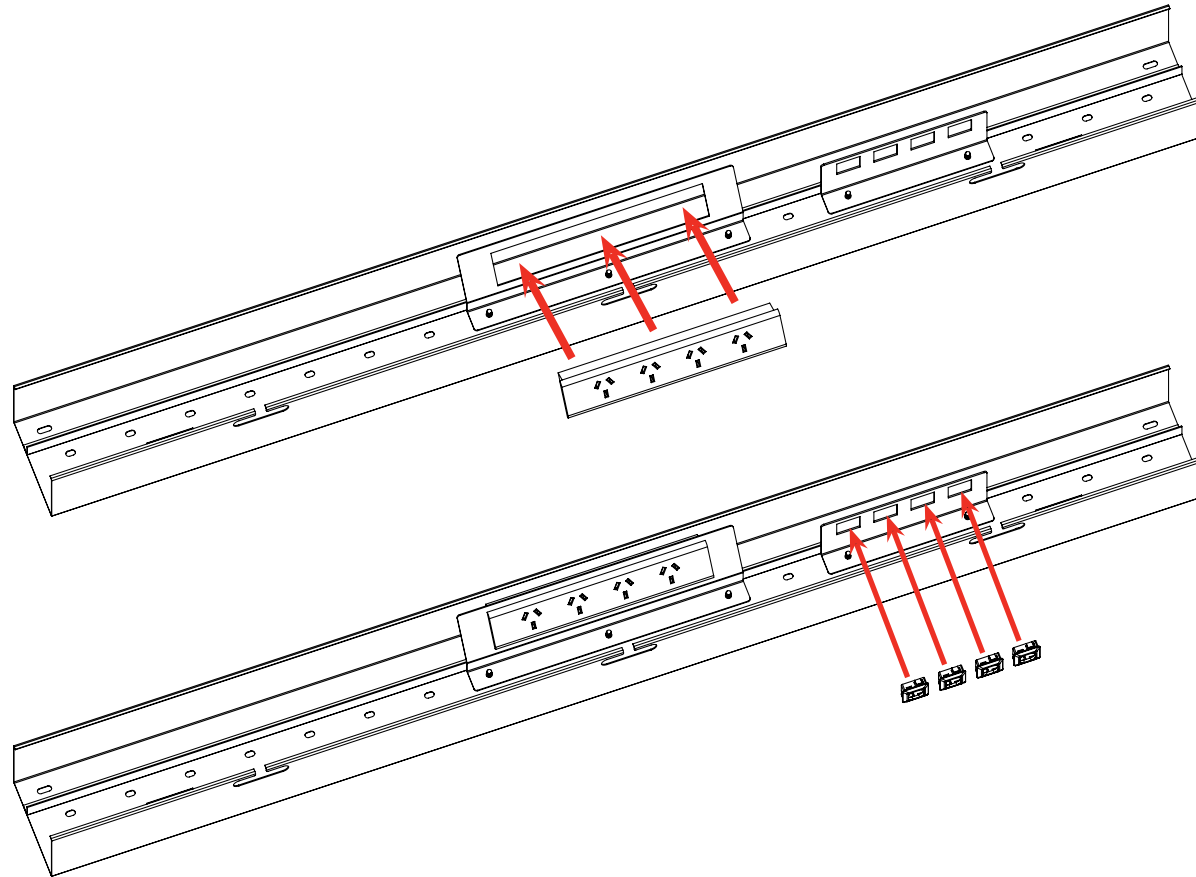
- 1 pc

Power Plate
- 1 pc

Data Plate
- 5 pcs

Screws



AgileMotion Single Sided Desk

Optional SSD Cable Tray - Assembly Instructions

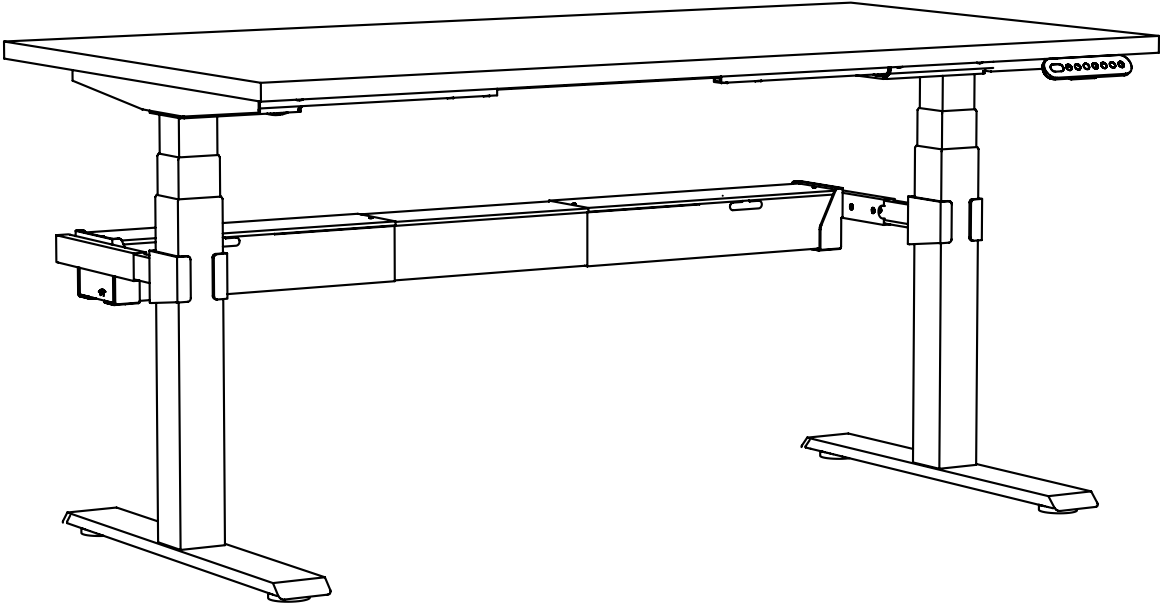
STEP 7:



AgileMotion Single Sided Desk

Optional SSD Cable Tray - Assembly Instructions

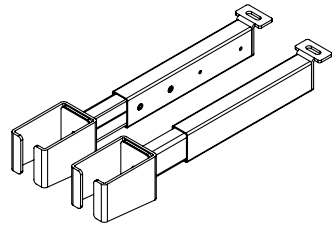
Complete:



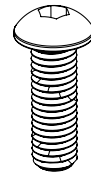
AgileMotion Single Sided Desk

Optional Studio50 or AcoustiQ Screen - Components List

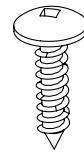
PARTS - STUDIO50



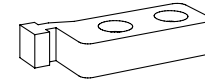
SSD Screen Brackets
L/R Pair



2 x M8x25

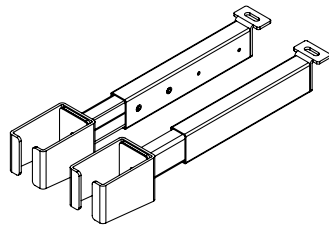


4 x ST5.0x23

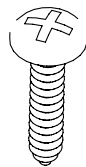


2 x Stabilizing Bracket

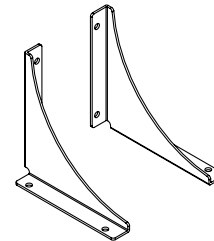
PARTS - ACOUSTIQ SCREEN



SSD Screen Brackets
L/R Pair



Tapping Screw
4 x 6.3x25



STUSWB150
x Left/Right Pair

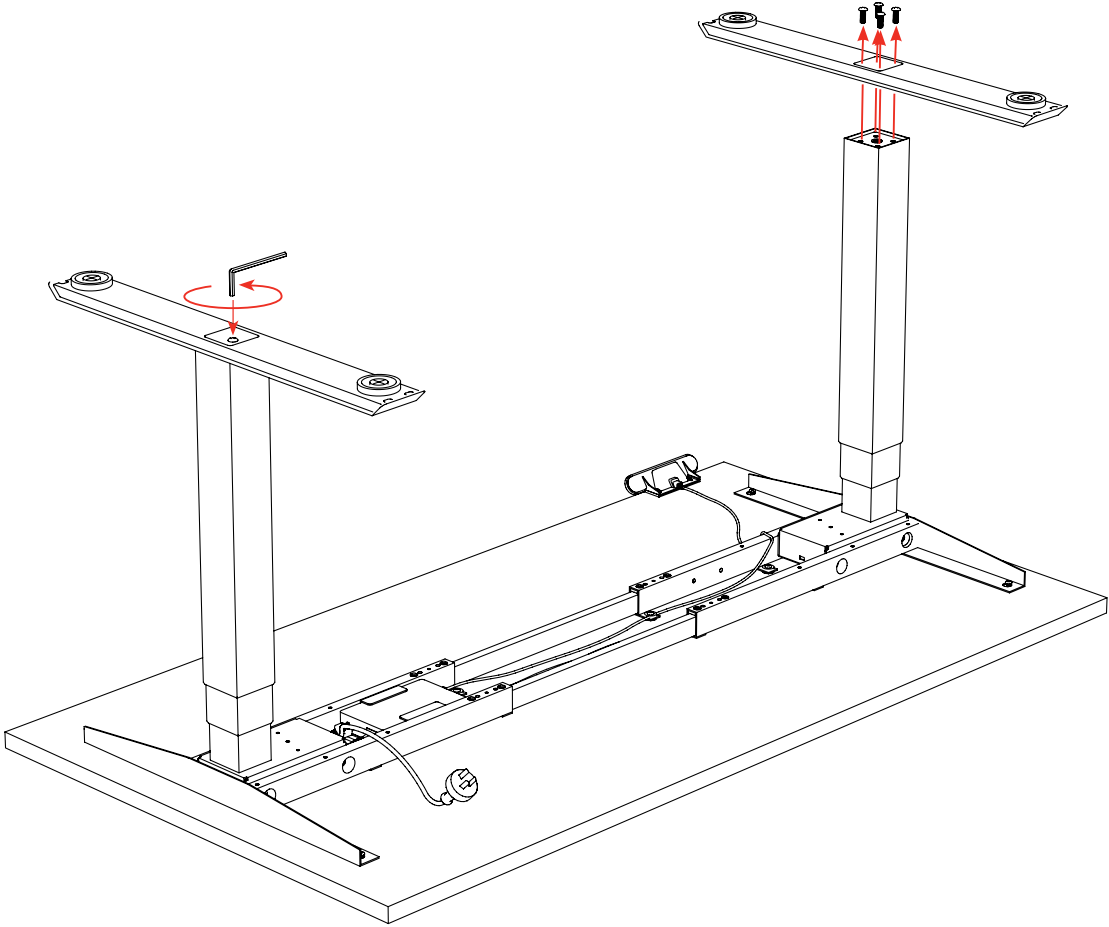


4 x Tek Screws

AgileMotion Single Sided Desk

Optional Studio50 or AcoustiQ Screen - Assembly Instructions

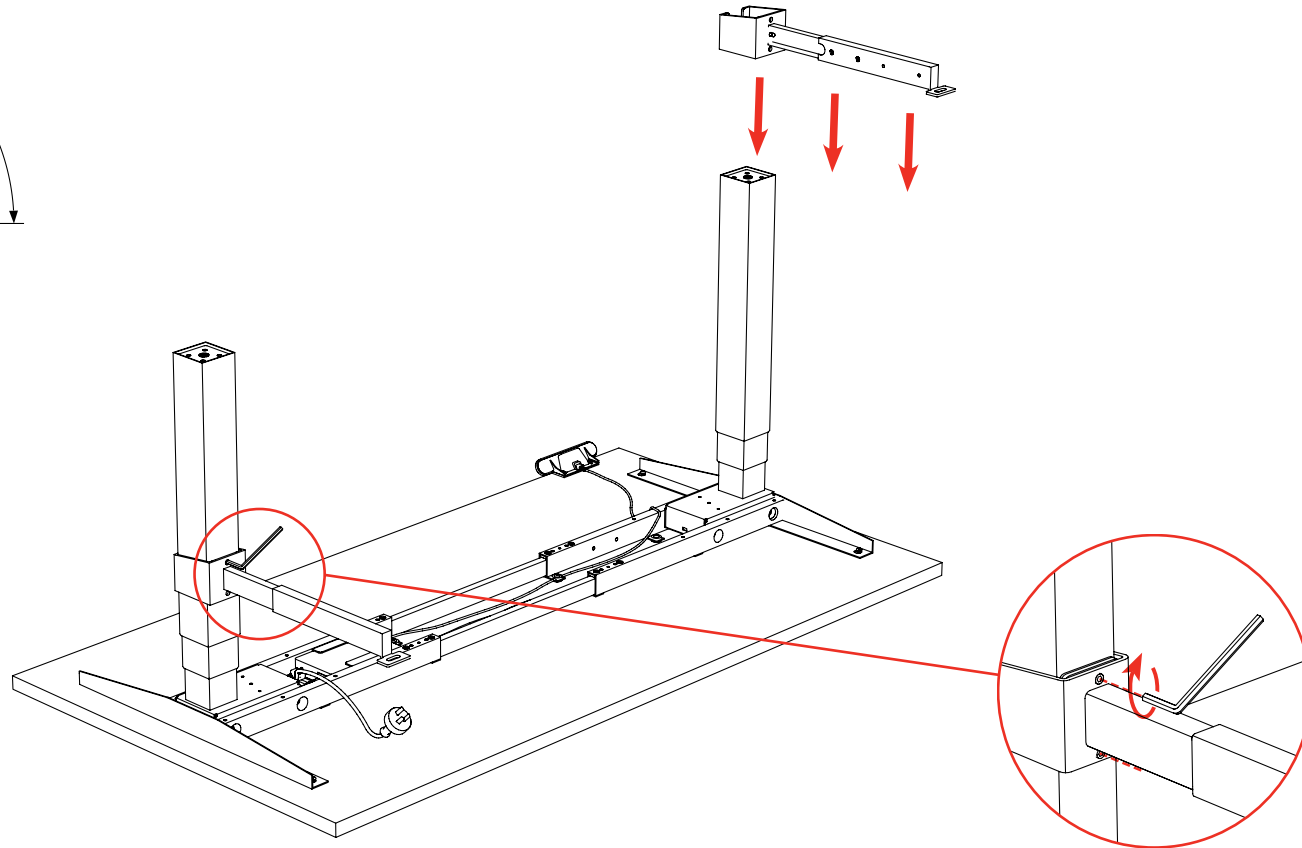
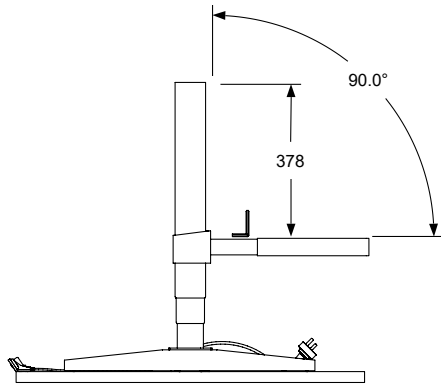
STEP 1:



AgileMotion Single Sided Desk

Optional Studio50 or AcustiQ Screen - Components List

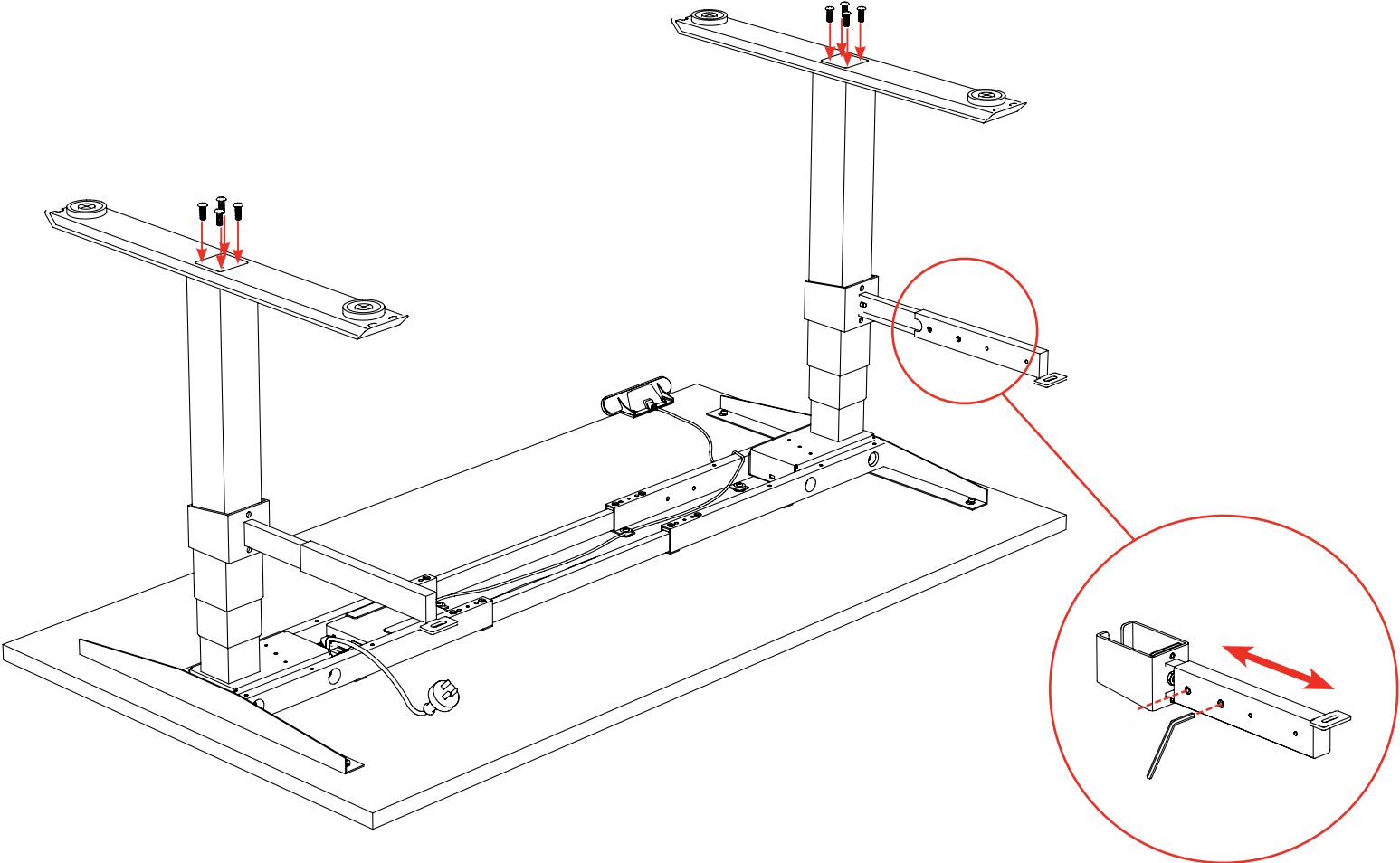
STEP 2:



AgileMotion Single Sided Desk

Optional Studio50 or AcoustiQ Screen - Assembly Instructions

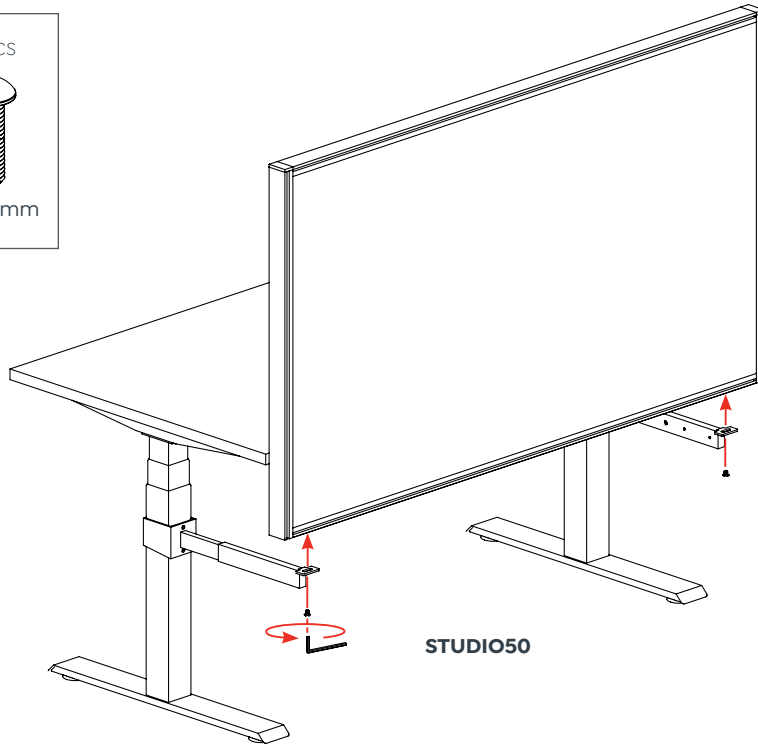
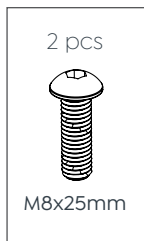
STEP 3:



AgileMotion Single Sided Desk

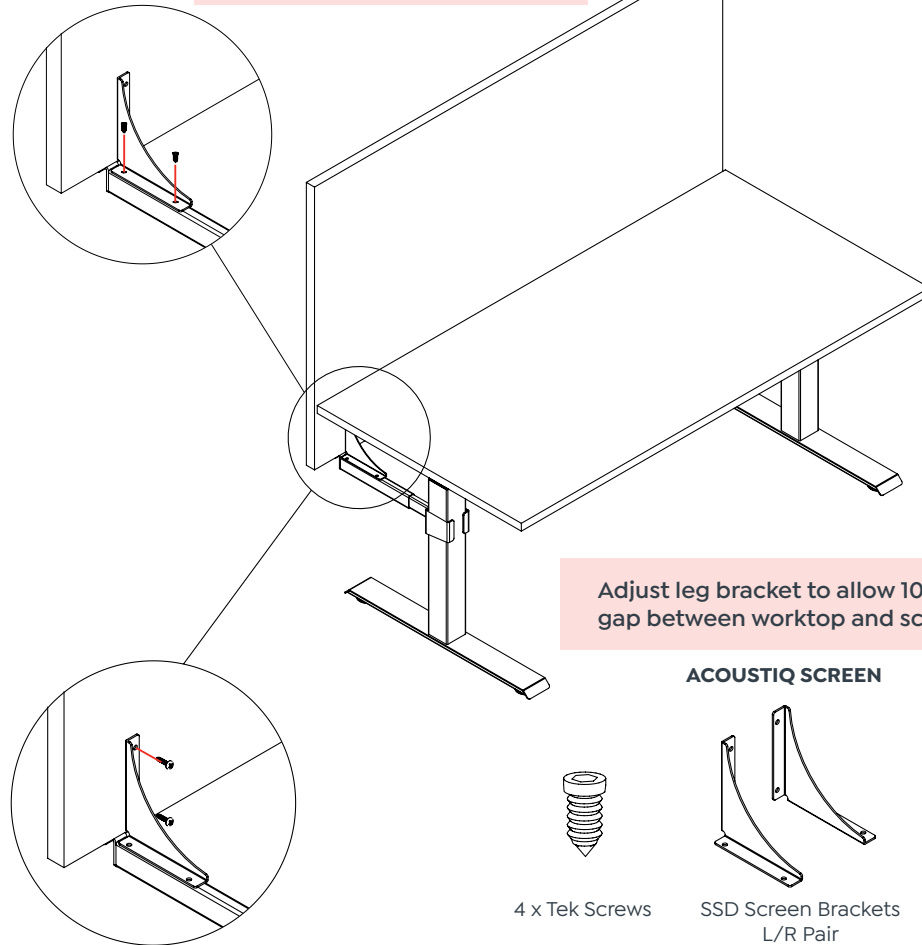
Optional Studio50 or AcoustiQ Screen - Components List

STEP 4:



2. Attach STUSWB150 to the screen using Tapping Screws.

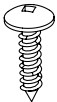

1. Attach STUSWB150 to the screen arm using Tek Screws.

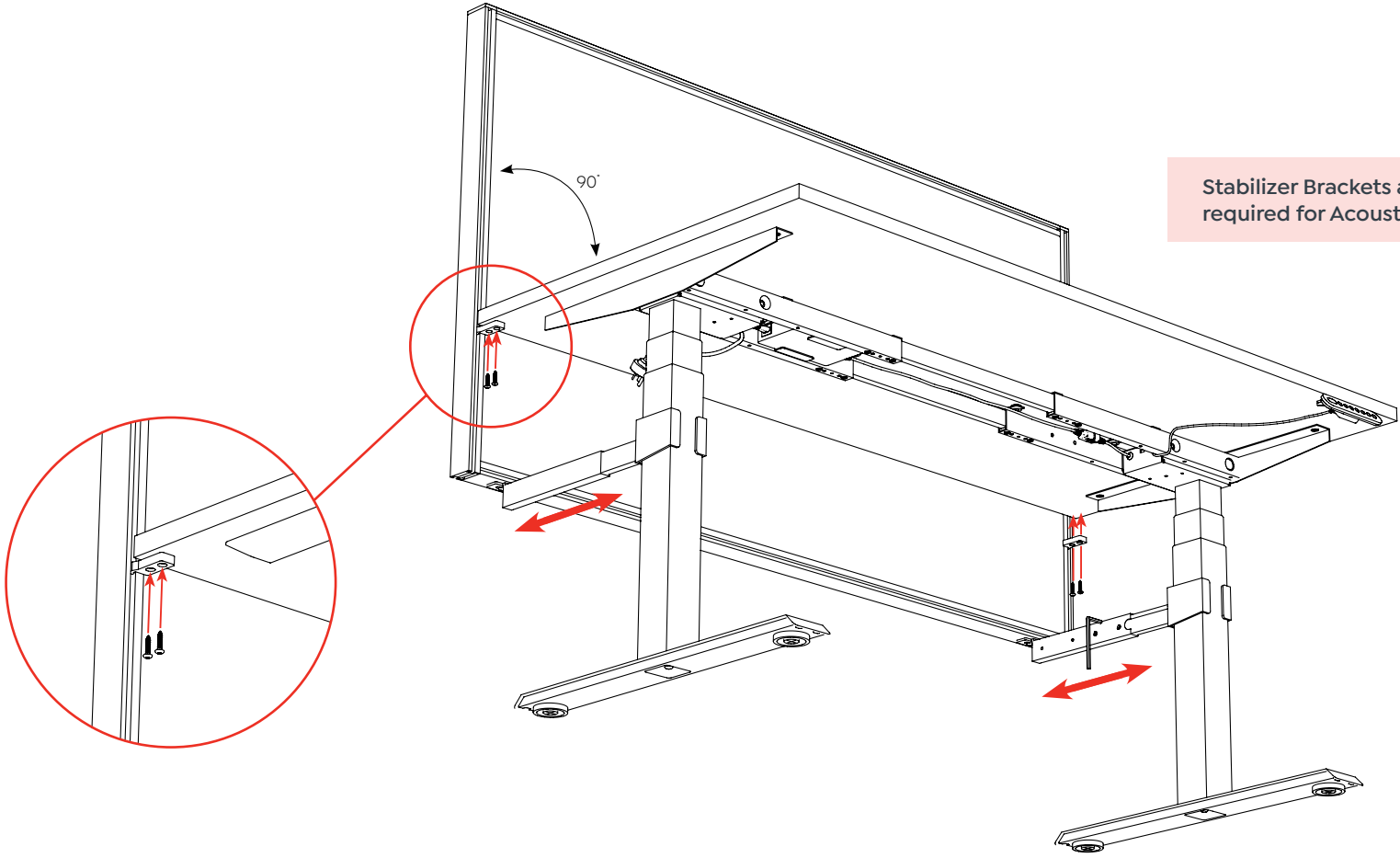


AgileMotion Single Sided Desk

Optional Studio50 or AcoustiQ Screen - Assembly Instructions

STEP 5:

- 4 pcs

ST5.0x23
- 2 pcs

Stabilizing Bracket

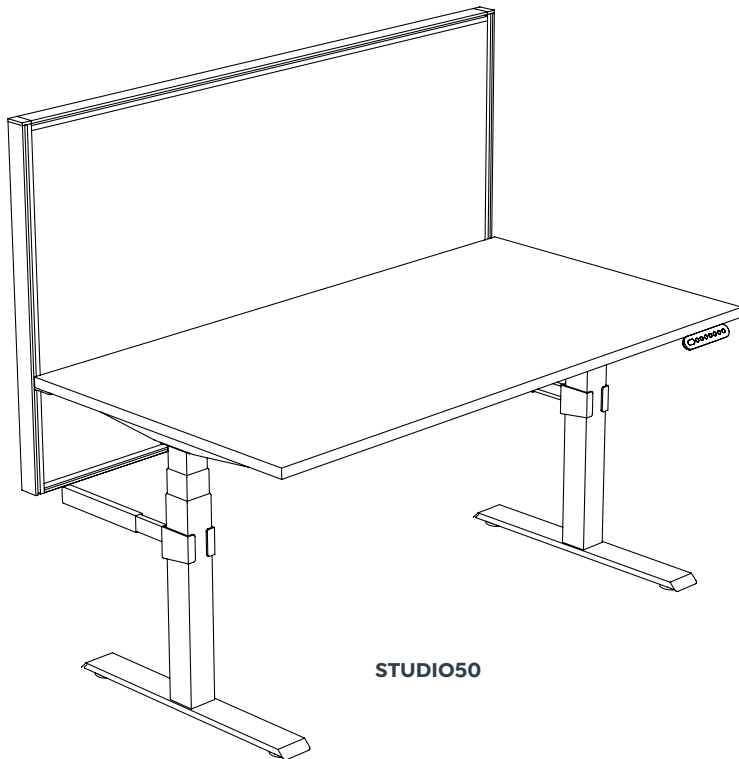


Stabilizer Brackets are not required for AcoustiQ Screens.

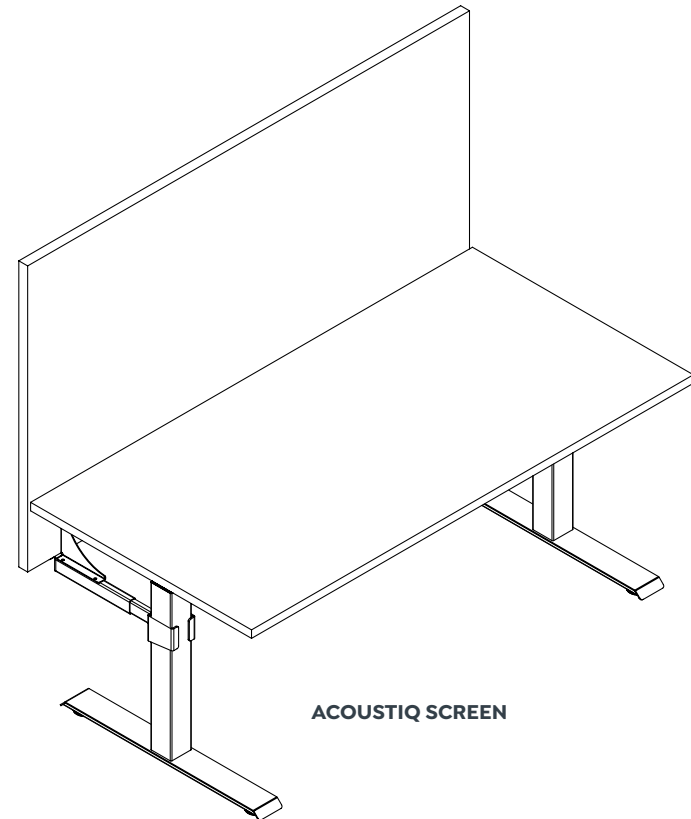
AgileMotion Single Sided Desk

Optional Studio50 or AcoustiQ Screen - Components List

Complete:



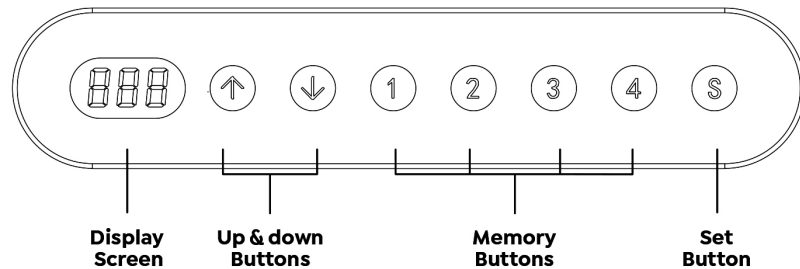
STUDIO50



ACOUSTIQ SCREEN

AgileMotion Single Sided Desk

Electric Digital Handset Functions - Operational Instructions



The whole handset surface is a button panel. If there is no press within 30 seconds, the screen is locked and 1/2/3/4/S buttons are locked correspondingly, you should press Up or Down key first, it can be used when the display screen light up.

OPERATION

- **Display Screen** - Shows current height of desk.
- **Up and Down Button** - Press and hold the “UP” or “DOWN” button to adjust desk height until you reach an optimum height.
- **How to Set Memory Buttons** - Adjust desk to preferred height using “UP” & “DOWN” buttons. Press and hold a memory button for 5 seconds until you hear a beep, the memory height is now saved.
- **Memory Buttons** - After setting memory buttons, the desk will auto adjust to the saved height.
- **Set Button** - Auto adjusts desk height to 72cm. This height is the standard optimum height when sitting.

FACTORY RESET

Restore the Factory Settings: When the desk is assembled for the first time, a new controller is installed or the parameters need to be restored to the factory settings, press the “DOWN” and “UP” buttons simultaneously, you will hear the first “beep” after about 5 seconds and a second “beep” after 10 seconds. When the display screen shows “RST”, please refer to “Calibration Step 1” below.

CALIBRATION

1. When “RST” is on the display screen, press the “DOWN” button until the desk frame reaches its lowest point. After hearing a “beep” and desk frame rebounds, calibration is completed (Note: The button cannot be released during this operation, otherwise the calibration will fail).
2. Forced Calibration: Press the “DOWN” button until the desk frame reaches its lowest point, then release the button and press it again for about 5 seconds until hear a “beep” and desk frame rebounds, and the calibration is completed.

SAFETY FUNCTION

When the desktop is moving up or down and encounters reverse resistance, the desk will rebound.

ERROR CODES

Error and Fault	Solution
E01, E06, E07 = Power Fault	Power off and restart. If fault still exists there is a motor problem.
E02 = Synchro Height Over 10mm	Implement the calibration step 1.
E04 = Handset Fault	Unplug and replug the cable of hand set. Power off and restart.
E05 = Anti-collision Alert	Rebound reminder, normal condition.
E08 = Desktop Sloping	Check the desktop.
E11, E21, E40, E41 = Connection Cable Failure	Check the connecting cable.
E12, E22, E42, E43 = Controller Fault	Exchange the controller.
E14-E17, E24-E27 = Motor Fault	Change motor.
E18, E28 = Overloading	Reduce the loading.
Hot = Overload Power Protection	Automatic recovery after stop using for 20 minutes.

ADVANCED FUNCTION SETTINGS

Limited Height Setting: Press “UP” and “DOWN” buttons for 5 seconds until you hear a ‘beep’, limited height setting success.

(minimum limited height < 96, maximum limited height > 97).

Cancel the Function: Run to the limit height and press “UP” and “DOWN” buttons again for 5 seconds until you hear a beep sound, limited height cancel.

Lock and Unlock: Press “UP” and “S” buttons, screen display “LOC”, system locked. Press “DOWN” and “S” buttons, screen display “LOC”, system unlocked.

Press “SET” button for approx 10 seconds until digital screen displays S-1. Press the “UP” or “DOWN” buttons to choose from the following.

S-1 = Metric and Inch Exchange

Select “up” & “down” buttons to navigate to selection

0 - Metric

1 - Inch

Press “SET” button to make selection and save.

AgileMotion Single Sided Desk

Electric Digital Handset Functions – Operational Instructions

S-2 = Anti Collision Sensitivity

Select “up” & “down” buttons to navigate to selection

0 - Shut down

1 - The most insensitive

8 - The most sensitive

Press “SET” button to make selection and save.

S-3 = Sensitivity of Upwards Anti Collision

Select “up” & “down” buttons to navigate to selection

0 - Shut down

1 - The most insensitive

8 - The most sensitive

Press “SET” button to make selection and save.

S-4 = Sensitivity of Downwards Anti Collision

Select “up” & “down” buttons to navigate to selection

0 - Shut down

1 - The most insensitive

8 - The most sensitive

Press “SET” button to make selection and save.

S-5 = Basement Height Setting

Use “up” & “down” buttons to adjust the basement height.

Press “SET” button to make selection and save.

S-6 = Memory Key Operation

Select “up” & “down” buttons to navigate to selection

0 - Long pressing desk running, hands off desk stop running

1 - Click desk running, second click to stop running

Press “SET” button to make selection and save.

S-7 = Overheat Protection

Select “up” & “down” buttons to navigate to selection

0 - Shut down

1 - Turn on (Continuous operation for two minutes, error HOT)

Press “SET” button to make selection and save.

S-8 = Desktop Tilt Angle Setting

Select “up” & “down” buttons to navigate to selection

0 - Shut down

1 - 0.5°

2 - 1.0°

3 - 1.5°

4 - 2.0°

5 - 2.5°

6 - 3.0°

7 - 3.5°

8 - 4.0°

Press “SET” button to make selection and save.



Sydney 02 8188 2732
Melbourne 03 9111 0315
Brisbane 07 3733 1923
Adelaide 08 7111 0810
Perth 08 9468 2707

info@olgoffice.com

myolg.online | olgoffice.com | officedesigner.net | motionoffice.com